



RODEM[®]

PROCESS EQUIPMENT

www.rodem.com 800-543-7312

Spare Parts

Toftejorg TZ-89

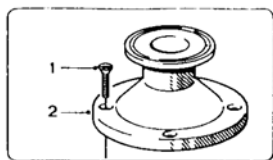
EPS00155-EN1 2011-01

Original manual

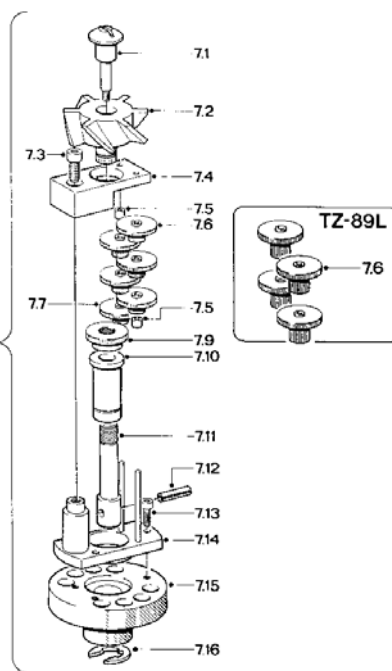
The information herein is correct at the time of issue but may be subject to change without prior notice

1. Toftejorg TZ-89 4

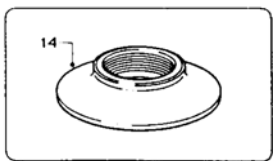
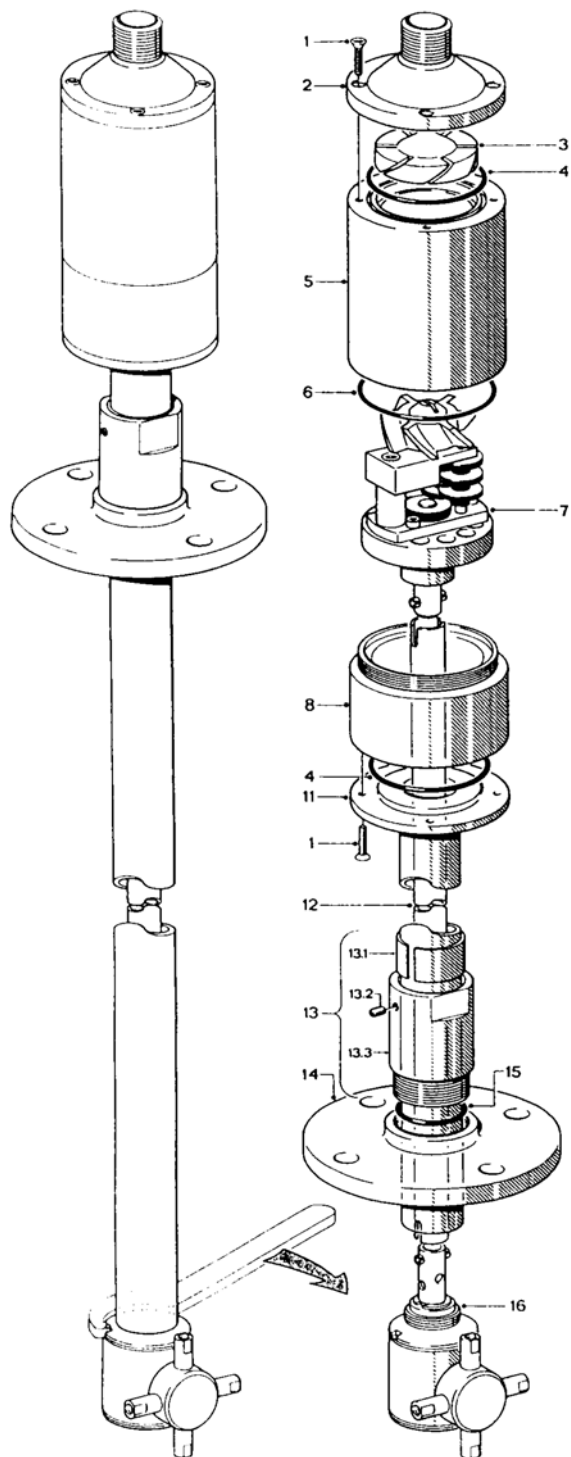
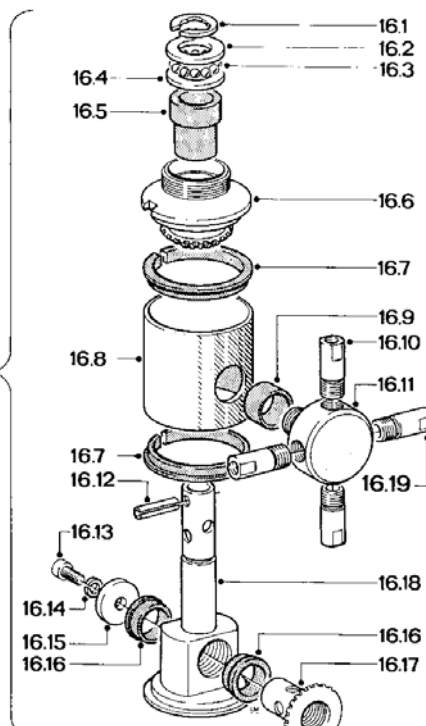
Main unit



Gear box



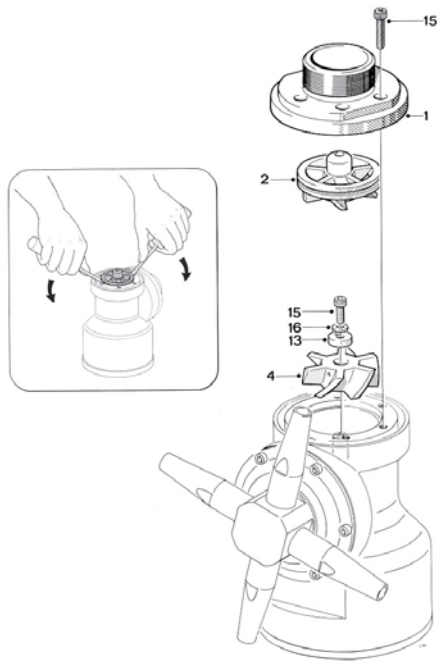
Cleaner head



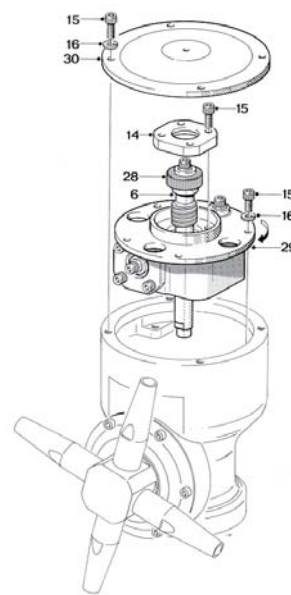
Reference List of Parts, Toftejorg TZ-89

Pos	Qty	Denomination	
1	4	Screw	TE51A050
2	1	Connection nipple 3/4" BSP	TE20A505
	1	Connection nipple 3/4" NPT	TE20A506
	1	1" Clamp connection	TE20A500
3	1	Guide	TE20A520
	1	Guide, polymer	TE20A520-01
4	2	O?ring	TE51T034
5	1	Gear house	TE20A510
6	1	O?ring	TE51T036
7	1	Gear unit complete	TE20A307
7.1	1	Turbine shaft	TE20A530
7.2	1	Turbine wheel	TE20A525
	1	Turbine wheel, polymer	TE20A525-01
7.3	1	Screw	TE51A102
7.4	1	Traverse	TE20A535
7.5	2	Distance bush	TE20A555
7.6	5	Gear wheel, polymer	TE20A562
7.7	1	Gear wheel	TE20A310
7.9	1	Traction wheel	TE20A566
7.10	1	Bearing bush	TE20A577
7.11	1	Drive shaft	TE20A571
7.12	1	Tubular rivet	TE51C050
7.13	3	Screw	TE51A101
7.14	1	Gear frame	TE20A305
7.15	1	Bearing plate	TE20A580
7.16		See pos. 16.1	TE51C200
8	1	Gear house lower part	TE20A515
11	1	Centre tube	TE20A587/592
12	1	Driver tube	TE20A581/586
13	1	Flange guide	TE20A320
13.1	1	Split bushing	TE20A602
13.2	1	Pointed screw	TE51A011
14	1	Flange 50	TE20A605
	1	Flange 3"	TE20A607
	1	3" Clamp flange	TE20A608
15	1	O?ring	TE51T022
16	1	Cleaner head complete	TE20A300
16.1	2	Circlip	TE51C200
16.2	1	Bearing washer, upper	TE20A616
16.3	12	Ball	TE126?2
16.4	1	Bearing washer, lower	TE20A617
16.5	1	Bush for stator	TE20A623
16.6	1	Stator	TE20A626
16.7	2	Bush	TE20A630
16.8	1	Sleeve	TE20A635
16.9	1	Bush	TE20A622
16.10	4	Nozzle	TE20A655
16.11	1	Nozzle head	TE20A650
16.12	1	Tubular rivet	TE51C050
16.13	1	Screw	TE51A100
16.14	1	Spring washer	TE156
16.15	1	Washer	TE20A640
16.16	2	Collar bush	TE20A621
16.17	1	Rotor	TE20A645
16.18	1	Shaft for Cleaner head	TE20A610

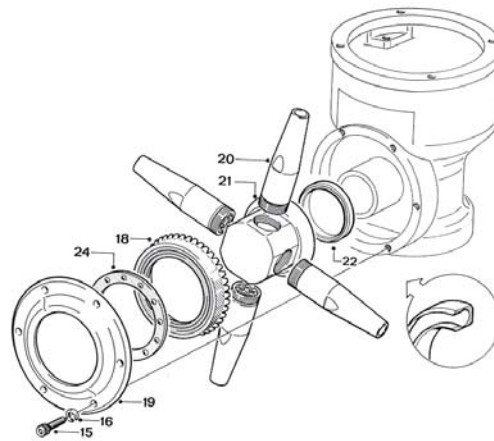
Top assembly



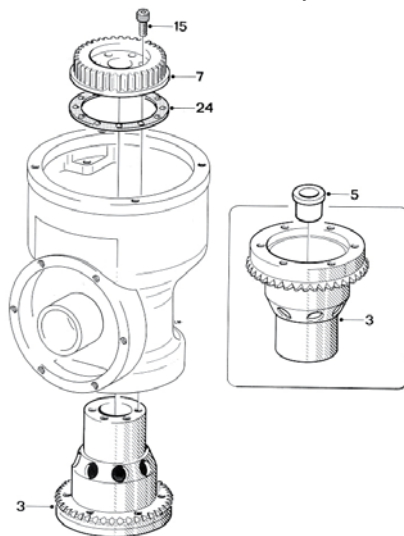
Bottom assembly



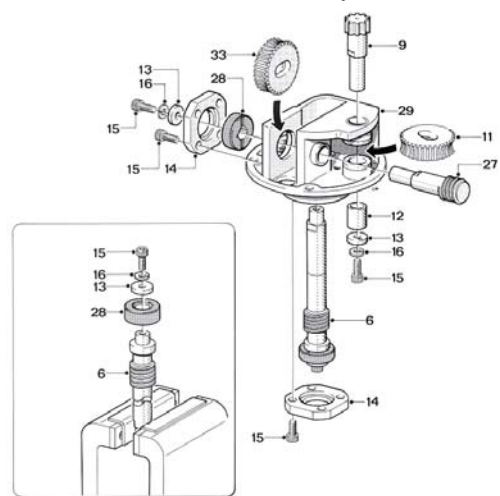
Hub subassembly



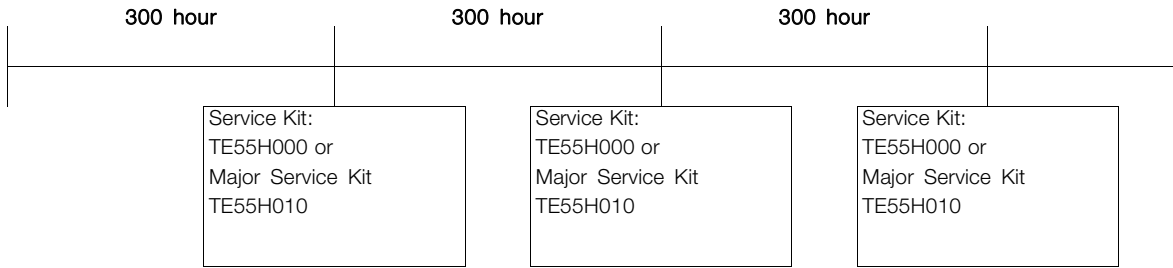
Stem subassembly



Gear subassembly



Service intervals



Service Kit for Toftejorg TZ-89
Article No. TE20A299

Pos	Qty	Denomination	Part No.
	2	O-ring, FEP/Silicone	TE51T034
	1	O-ring, FEP/Silicone	TE51T036
	1	O-ring, FEP/Silicone	TE51T022
	5	Gear wheel, PEEK 450G	TE20A562
	1	Bearing washer, upper	TE20A616
	1	Bearing washer, lower	TE20A617

Pos	Qty	Denomination	Reference no.
		Hook-spanner	TE81B039
		Spanner	
		Hex key for Allen Screw	

How to contact Alfa Laval

Contact details for all countries are continually updated on our website.

Please visit www.alfalaval.com to access the information directly.

© Alfa Laval Corporate AB

This document and its contents is owned by Alfa Laval Corporate AB and protected by laws governing intellectual property and thereto related rights. It is the responsibility of the user of this document to comply with all applicable intellectual property laws. Without limiting any rights related to this document, no part of this document may be copied, reproduced or transmitted in any form or by any means (electronic, mechanical, photocopying, recording, or otherwise), or for any purpose, without the expressed permission of Alfa Laval Corporate AB. Alfa Laval Corporate AB will enforce its rights related to this document to the fullest extent of the law, including the seeking of criminal prosecution.