



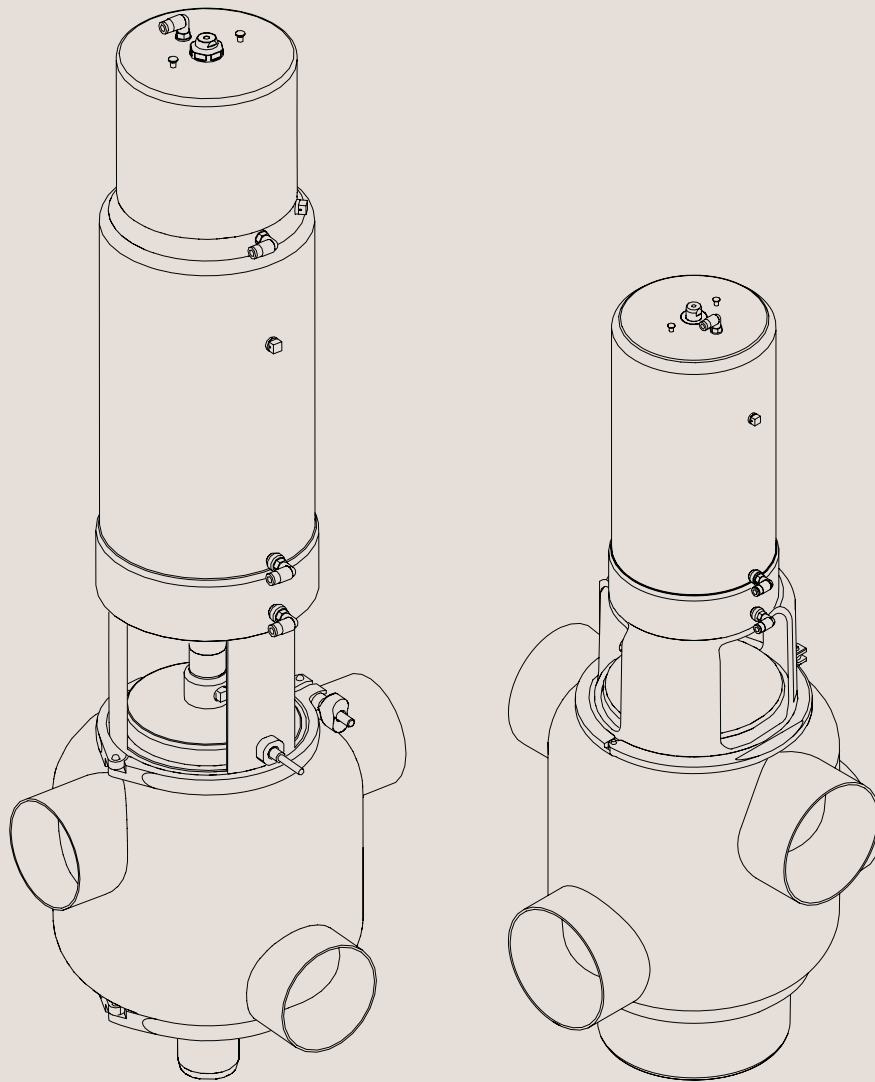
RODEM[®]

PROCESS EQUIPMENT

www.rodem.com 800-543-7312

Spare Parts

Unique Sanitary Mixproof Valve PMO Curd CP



TD 482-009

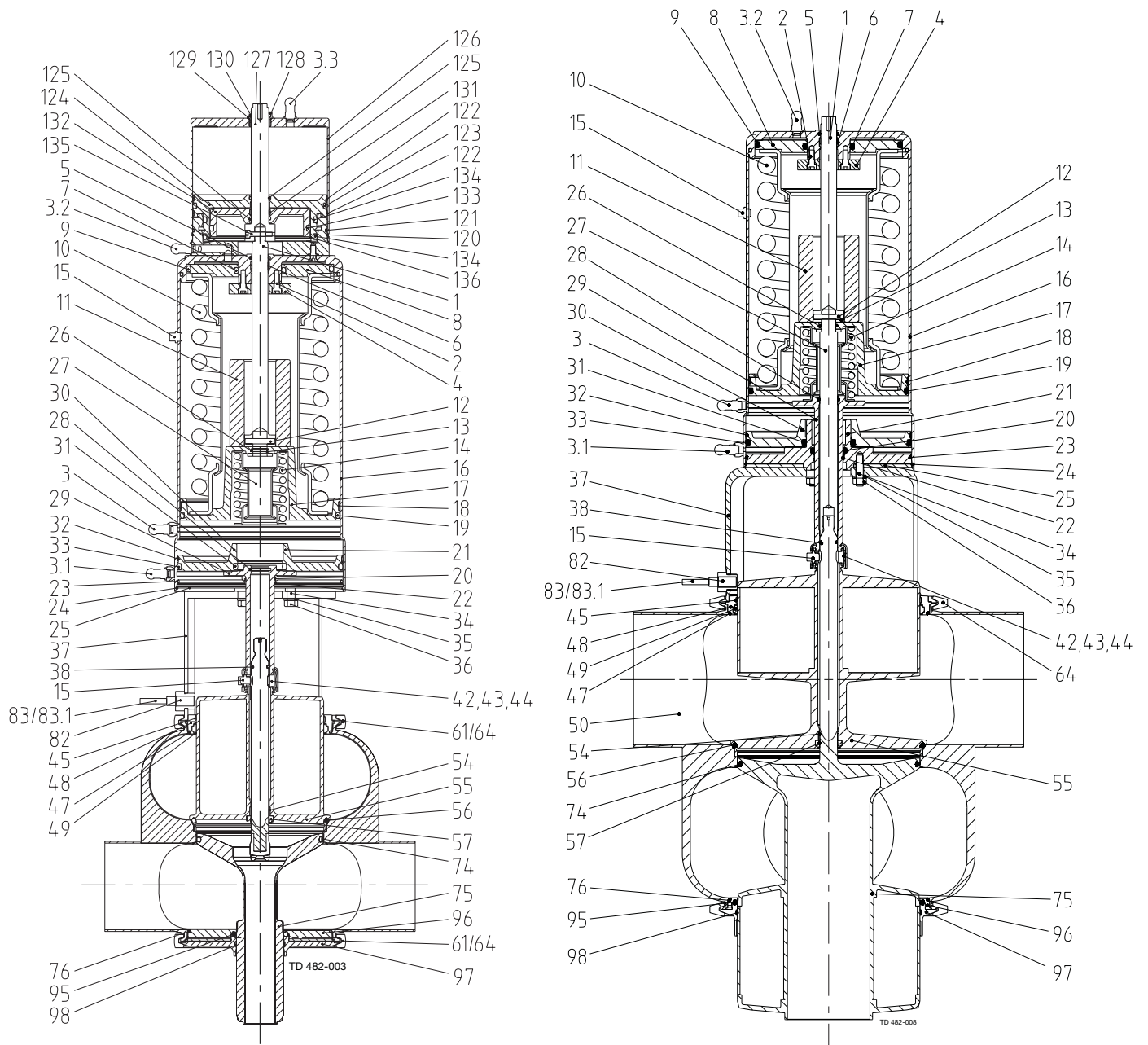
ESE02113-ENUS1

1108

Original manual

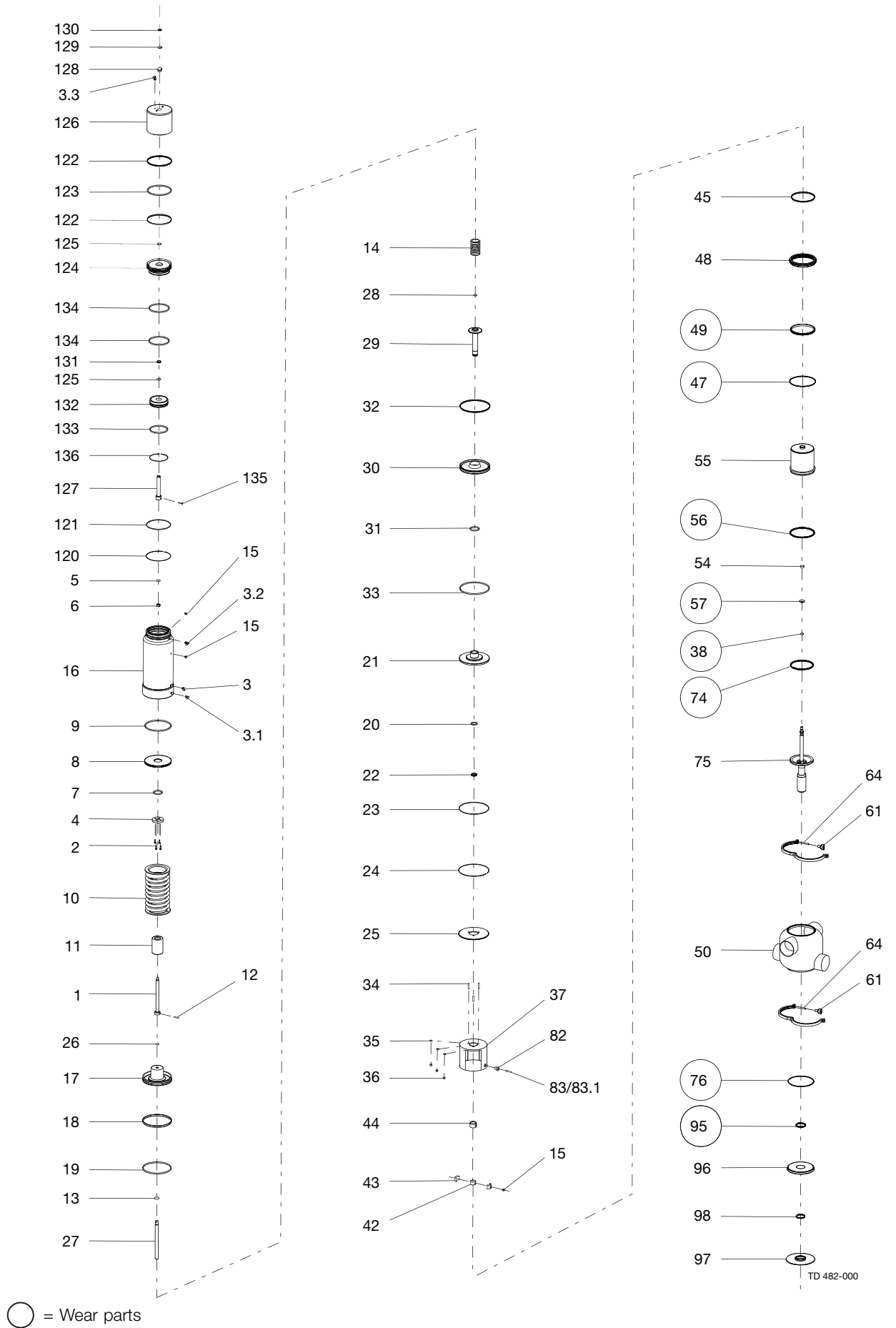
The information herein is correct at the time of issue but may be subject to change without prior notice

- 1. Unique Sanitary Mixproof Valve PMO Curd CP 4**
- 2. Axial Installation Tool for Unique Mixproof Range 14**
- 3. Radial Installation Tool for Unique Mixproof Range 16**



Wear Parts

Pos	Qty	Denomination	PMO 4"	PMO 6"
			Seat ø143.9	Seat ø206.1
38	1	O-ring , EPDM	9611-99-3572	9611-99-3572
47	1	O-ring, EPDM (Standard)	9611-99-3644	9611-99-5003
	1	O-ring, NBR	9611-99-3645	9611-99-5004
	1	O-ring, HNBR	9611-99-3647	9611-99-5006
	1	O-ring, FPM	9611-99-3646	9611-99-5005
49	1	Lip seal, EPDM (Standard)	9613-0085-36	9613-0085-60
	1	Lip seal, NBR	9613-0085-37	9613-0085-65
	1	Lip seal, HNBR	9613-0085-39	9613-0085-63
	1	Lip seal, FPM	9613-0085-38	9613-0085-62
56	1	Seal ring, EPDM (Standard)	9613-0951-23	9613-0951-47
	1	Seal ring, NBR	9613-0951-24	9613-0951-48
	1	Seal ring, HNBR	9613-0951-21	9613-0951-45
	1	Seal ring, FPM	9613-0951-22	9613-0951-46
57	1	Lip seal, EPDM (Standard)	9613-0087-11	9613-0087-11
	1	Lip seal, NBR	9613-0087-18	9613-0087-18
	1	Lip seal, HNBR	9613-0087-14	9613-0087-14
	1	Lip seal, FPM	9613-0087-13	9613-0087-13
74	1	Seal ring, EPDM (Standard)	9613-0952-23	9613-0952-47
	1	Seal ring, NBR	9613-0952-24	9613-0952-48
	1	Seal ring, HNBR	9613-0952-21	9613-0952-45
	1	Seal ring, FPM	9613-0952-22	9613-0952-46
76	1	O-ring, EPDM (Standard)	9611-99-3644	9611-99-5003
	1	O-ring, NBR	9611-99-3645	9611-99-5004
	1	O-ring, HNBR	9611-99-3647	9611-99-5006
	1	O-ring, FPM	9611-99-3646	9611-99-5005
95	1	Special lip seal, EPDM (Standard)	9613-4642-15	9613-4642-47
	1	Special lip seal, NBR	9613-4642-16	9613-4642-48
	1	Special lip seal , HNBR	9613-4642-13	9613-4642-45
	1	Special lip seal , FPM	9613-4642-14	9613-4642-46



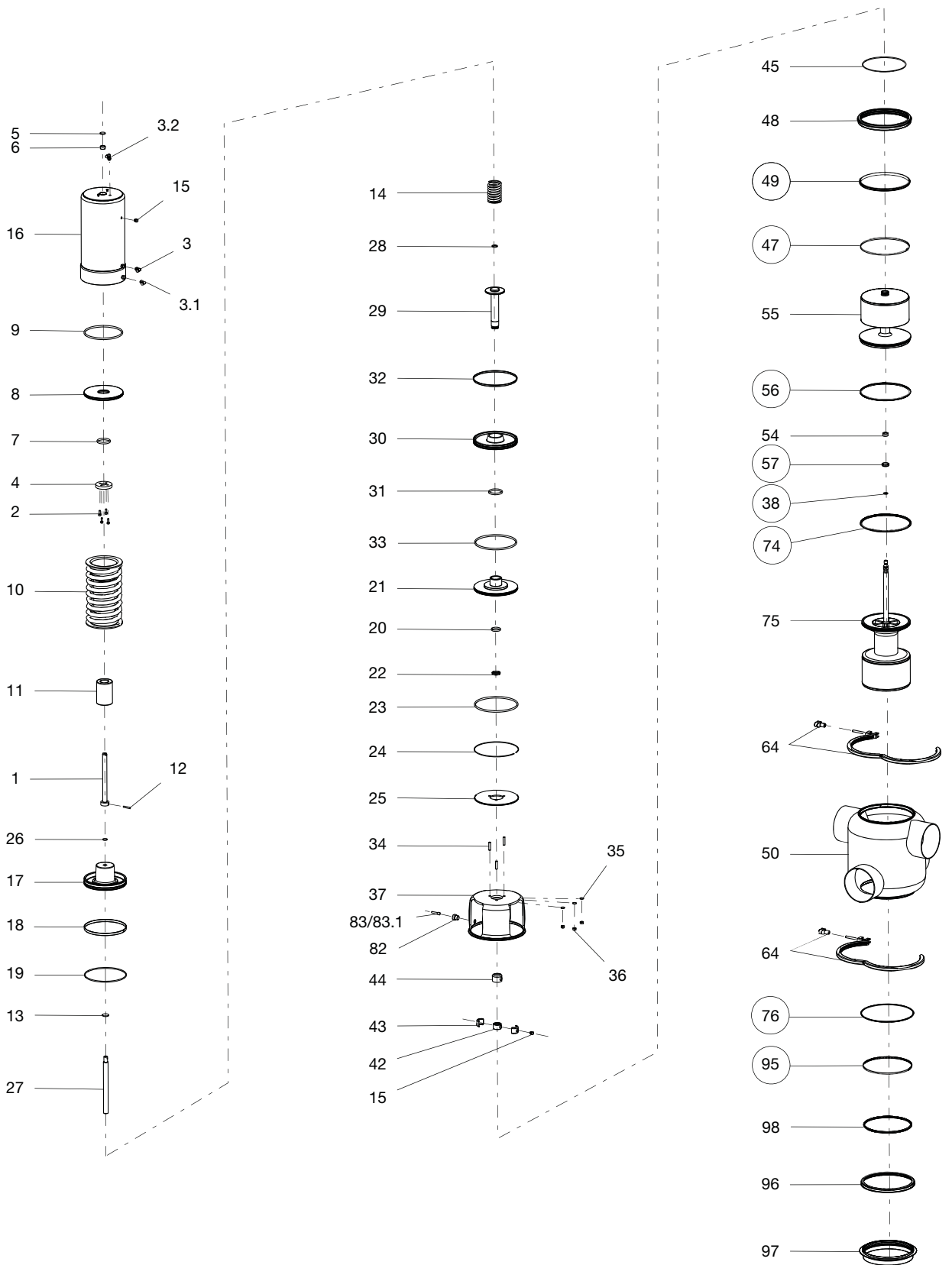
Parts

Pos	Qty	Denomination	4* Seat ø143.9
		Cpl. Actuator	9613-4890-72
1	1	Upper stem	9614-0724-01
2	4	Screw	9611-99-0144
3	1	Air fitting , blue	9611-99-3780
3.1	1	Air fitting , red	9611-99-4172
3.2	1	Air fitting , yellow	9611-99-4171
3.3	1	Air fitting , blue	9611-99-3780
4	1	Stop for upper piston	9613-4883-01
5	1	O-ring, NBR	9611-99-3499
6	1	Guide ring, Turcite	9613-0084-08
7	1	O-ring, NBR	9611-99-3514
8	1	Upper piston	9613-0056-02
9	1	O-ring, NBR	9611-99-3513
10	1	Spring assembly	9613-0256-07
11	1	Distance spacer	9613-0102-07
12	1	Pin	9611-99-4199
13	1	Washer	9611-99-3596
14	1	Spring assembly	9613-0095-02
15	3	Plug	9613-4141-01
16	1	Cylinder (3A marking)	9614-0537-03
17	1	Main piston	9613-0159-01
18	1	Guide ring, Turcite	9613-0084-11
19	1	O-ring, NBR	9611-99-3509
20	1	O-ring, NBR	9611-99-3607
21	1	Bottom	9613-0168-01
22	1	Guide ring, Turcite	9613-0084-04
23	1	O-ring, NBR	22340675
24	1	Retaining ring	9613-0248-04
25	1	Cover disk	9613-0058-04
26	1	O-ring, NBR	9611-99-3530
27	1	Inner stem	9613-0073-05
28	1	O-ring	9611-99-0030
29	1	Piston rod	9613-0060-04
30	1	Lower piston	9613-0166-01
31	1	O-ring, NBR	42153
32	1	Guide ring, Turcite	9613-0084-07
33	1	O-ring, NBR	9611-99-3510
34	3	Bolt	9611-99-3618
35	3	Washer	9611-99-3594
36	3	Nut	9611-99-0360
42	1	Spindle liner	9613-0090-01
43	2	Clamp	9613-0092-01
44	1	Lock	9613-0091-01
45	1	Guide ring, PTFE	9613-0084-21
48	1	Upper sealing element	9613-0713-01
54	1	Guide ring, PTFE	9613-0084-02
55	1	Upper plug	9613-4982-01
61	2	Wingnut	9612-5580-01
64	2	Clamp without nut	9613-0218-01
75	1	Lower plug	9613-4955-01
82	1	Bolt for indication	9613-0926-01
83	1	Sensor for indication	9611-99-4916
83.1	1	Cable for sensor for indication	9611-99-4915
84	1	Plate for sensor for indication	9613-0957-01
96	1	Lower sealing element, upper part	9613-4981-01
97	1	Lower sealing element, lower part	9613-4980-01
98	1	Guide ring, Turcite	9613-4661-07
120	1	Lock ring	9613-1432-03
121	1	O-ring, NBR	9611-99-2579
122	2	Guide ring	9613-0084-28
123	1	O-ring, NBR	9611-99-4283
124	1	Piston	9614-0722-01
125	2	O-ring, NBR	9611-99-4300
126	1	Cylinder	9614-0583-02
127	1	Upper stem, cpl.	9614-0723-01
128	1	Bushing	9613-1328-01
129	1	O-ring	9611-99-4680

Unique Sanitary Mixproof Valve PMO Curd CP

130	1	O-ring	9611-99-4300
131	1	Guide ring	9613-0084-24
132	1	Inner piston	9614-0725-01
133	1	O-ring	9611-99-0033
134	2	O-ring	9611-99-0035
135	1	Screw	9611-99-5302
136	1	Lock ring	9614-0726-01

900-574

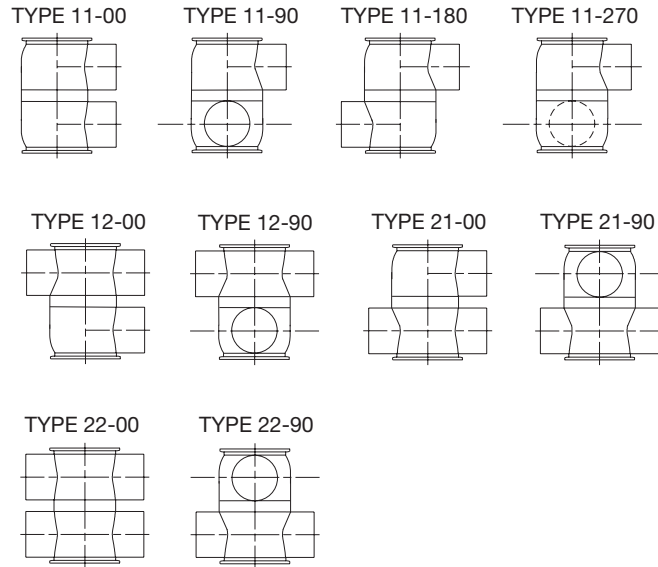


Parts

Pos	Qty	Denomination	6" Seat ø206.1
		Cpl. Actuator	9613-4890-20
1	1	Upper stem	9613-0074-04
2	4	Screw	9611-99-0144
3	1	Air fitting , blue	9611-99-3780
3.1	1	Air fitting , red	9611-99-4172
3.2	1	Air fitting , yellow	9611-99-4171
4	1	Stop for upper piston	9613-4883-01
5	1	O-ring, NBR	9611-99-3499
6	1	Guide ring, Turcite	9613-0084-08
7	1	O-ring, NBR	9611-99-3514
8	1	Upper piston	9613-0056-02
9	1	O-ring, NBR	9611-99-3513
10	1	Spring assembly	9613-0256-05
11	1	Distance spacer	9613-0102-07
12	1	Pin	9611-99-4199
13	1	Washer	9611-99-3596
14	1	Spring assembly	9613-0095-03
15	2	Plug	9613-4141-01
16	1	Cylinder (3A marking)	9613-0150-24
17	1	Main piston	9613-0159-01
18	1	Guide ring, Turcite	9613-0084-11
19	1	O-ring, NBR	9611-99-3509
20	1	O-ring, NBR	9611-99-3607
21	1	Bottom	9613-0168-01
22	1	Guide ring, Turcite	9613-0084-04
23	1	O-ring, NBR	22340675
24	1	Retaining ring	9613-0248-04
25	1	Cover disk	9613-0058-04
26	1	O-ring, NBR	9611-99-3530
27	1	Inner stem	9613-0073-05
28	1	O-ring	9611-99-0030
29	1	Piston rod	9613-0060-04
30	1	Lower piston	9613-0166-01
31	1	O-ring, NBR	42153
32	1	Guide ring, Turcite	9613-0084-07
33	1	O-ring, NBR	9611-99-3510
34	3	Bolt	9611-99-3618
35	3	Washer	9611-99-3594
36	3	Nut	9611-99-0360
42	1	Spindle liner	9613-0090-01
43	2	Clamp	9613-0092-01
44	1	Lock	9613-0091-01
45	1	Guide ring, PTFE	9613-0084-21
48	1	Upper sealing element	9613-4880-01
54	1	Guide ring, PTFE	9613-0084-02
55	1	Upper plug	9613-4863-01
61	2	Wing nut	9613-1495-01
64	2	Clamp	9613-4884-01
75	1	Lower plug	9613-4946-01
82	1	Bolt for indication	9613-0926-01
83	1	Sensor for indication	9611-99-4916
83.1	1	Cable for sensor for indication	9611-99-4915
84	1	Plate for sensor for indication	9613-0957-01
96	1	Lower sealing element, upper part	9613-4881-01
97	1	Lower sealing element, lower part	9613-4882-01
98	1	Guide ring, Turcite	9613-4661-06

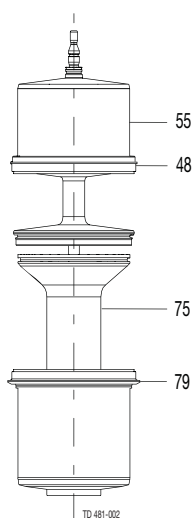
Parts

Pos	Qty	Denomination	PMO 4" Seat ø143.9	PMO 6" Seat ø206.1
37	1	Intermediate piece	9613-0193-19	9613-4966-01
50	1	Valve body , 11-00	9613-4933-01	9613-4920-01
	1	Valve body , 12-00	9613-4933-05	9613-4920-05
	1	Valve body , 21-00	9613-4933-07	9613-4920-07
	1	Valve body , 22-00	9613-4933-09	9613-4920-09
	1	Valve body , 11-90	9613-4933-02	9613-4920-02
	1	Valve body , 12-90	9613-4933-06	9613-4920-06
	1	Valve body , 21-90	9613-4933-08	9613-4920-08
	1	Valve body , 22-90	9613-4933-10	9613-4920-10
	1	Valve body , 11-180	9613-4933-03	9613-4920-03
	1	Valve body , 11-270	9613-4933-04	9613-4920-04



TD 449-014_3

Service kits for Product Wetted Parts



(Plug set-up 12)

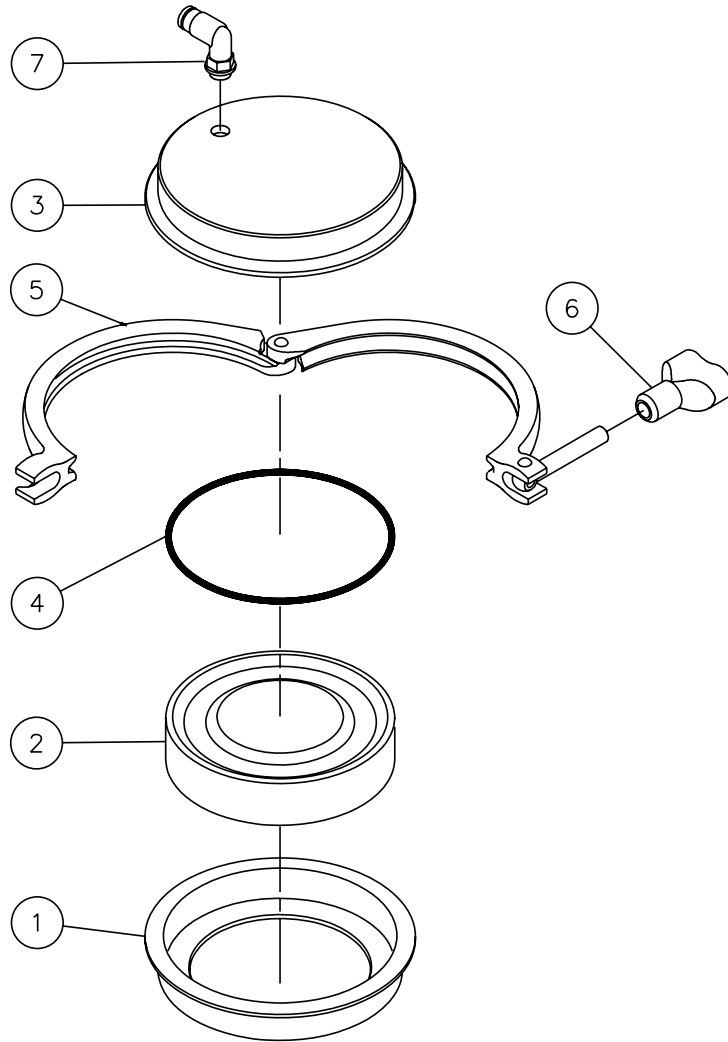
PMO 4"

Service kit, NBR	9611-92-6865
Service kit, EPDM	9611-92-6866
Service kit, HNBR	9611-92-6867
Service kit, FPM	9611-92-6868

PMO 6"

Service kit, NBR	9611-92-6857
Service kit, EPDM	9611-92-6858
Service kit, HNBR	9611-92-6859
Service kit, FPM	9611-92-6860

Axial Installation Tool for Unique Mixproof Range

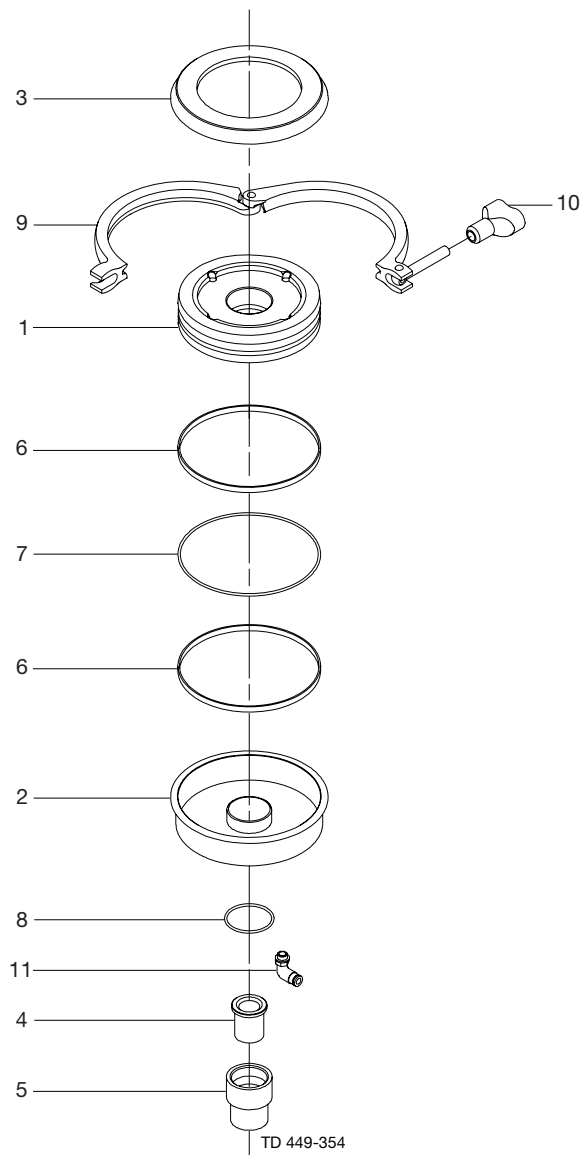


TD 449-038_1

Axial Installation Tool for Unique Mixproof Range

Pos	Qty	Denomination	Seat ø53.3	Seat ø81.3	Seat ø115.3	Seat ø143.9	Seat ø206.1
			9613-0505-01	9613-0505-02	9613-0505-03	9613-0505-07	9613-0505-10
1	1	Lower part					
2	1	Piston					
3	1	Upper part					
4	1	O-ring, NBR	9611-99-3703	9611-99-3703	9611-99-3349	9611-99-4113	9611-99-5169
5	1	Clamp					
6	1	Wingnut					
7	1	Air fitting					

Radial Installation Tool for Unique Mixproof Range



Radial Installation Tool for Unique Mixproof Range

Pos	Qty	Denomination	Seat ø53.3	Seat ø81.3	Seat ø115.3	Seat ø143.9	Seat ø206.1
			9613-4260-01	9613-4260-02	9613-4260-04	9613-4260-09	9613-4260-10
1	1	Piston					
2	1	Lower part					
3	1	Upper part					
4	1	Bushing					
5	1	Guide					
6	2	Guide ring	9613-0084-22	9613-0084-22	9613-0084-22	9613-0084-23	9613-0084-29
7	1	O-ring, NBR	9611-99-3349	9611-99-3349	9611-99-3349	9611-99-4113	9611-99-5169
8	1	O-ring, NBR	9611-99-3705	9611-99-3705	9611-99-3705	9611-99-3705	9611-99-3705
9	1	Clamp					
10	1	Wingnut					
11	1	Air fitting					

900-507

How to contact Alfa Laval

Contact details for all countries are continually updated on our website.

Please visit www.alfalaval.com to access the information directly.

© Alfa Laval Corporate AB

This document and its contents is owned by Alfa Laval Corporate AB and protected by laws governing intellectual property and thereto related rights. It is the responsibility of the user of this document to comply with all applicable intellectual property laws. Without limiting any rights related to this document, no part of this document may be copied, reproduced or transmitted in any form or by any means (electronic, mechanical, photocopying, recording, or otherwise), or for any purpose, without the expressed permission of Alfa Laval Corporate AB. Alfa Laval Corporate AB will enforce its rights related to this document to the fullest extent of the law, including the seeking of criminal prosecution.