

# M-120 Wall-Mounted Hose Station

The Strahman **M-120 Wall-Mounted Hose Station** is made of stainless steel. This strong and compact hose station includes a hose rack, mounting hardware and On/Off valve. The hose station comes with (2) ½" stainless steel wall mounting bolts and zinc plated steel anchors for strength and durability.

## Specifications

- ◆ **Maximum operating temperature** ..... 200°F/93°C
- ◆ **Ball valve and bracket are rated at a maximum working pressure** ..... 1,000 psi
- ◆ **With Strahman Hose Assembly and Nozzle, maximum working pressure** ..... 150 psi
- ◆ ¾" full port 316 stainless steel ball valve, PTFE packing
- ◆ Stainless steel hose rack for 50 feet of hose
- ◆ ½" Stainless steel wall mounting bolts
- ◆ Stainless steel ¼ turn On/Off valve for ease of operation
- ◆ Zinc plated steel anchors

**NOTE:** Intended for cold or hot water use only.

*Please see reverse side for parts listing.*



# RODEM®

PROCESS EQUIPMENT

[www.rodem.com](http://www.rodem.com) 800-543-7312

*Shown: M-120 Wall-Mounted Hose Station; shown with premium hose assembly and S-70 Series nozzle.*



**USA Headquarters**

2801 Baglyos Circle ♦ Bethlehem, PA 18020

Phone: (484) 893-5080 ♦ Fax: (484) 893-5099 ♦ Toll Free: (877) STRAHMAN

[www.strahmanvalves.com](http://www.strahmanvalves.com)

### France

Savoie Hexapole, F-73420 Mery, France

Tel: 33 (0) 4 79 35 78 00

Fax: 33 (0) 4 79 35 78 20

### Germany

Kirchstrasse 16, D-77855, Achern, Germany

Tel: 49 (0) 7841-6846530

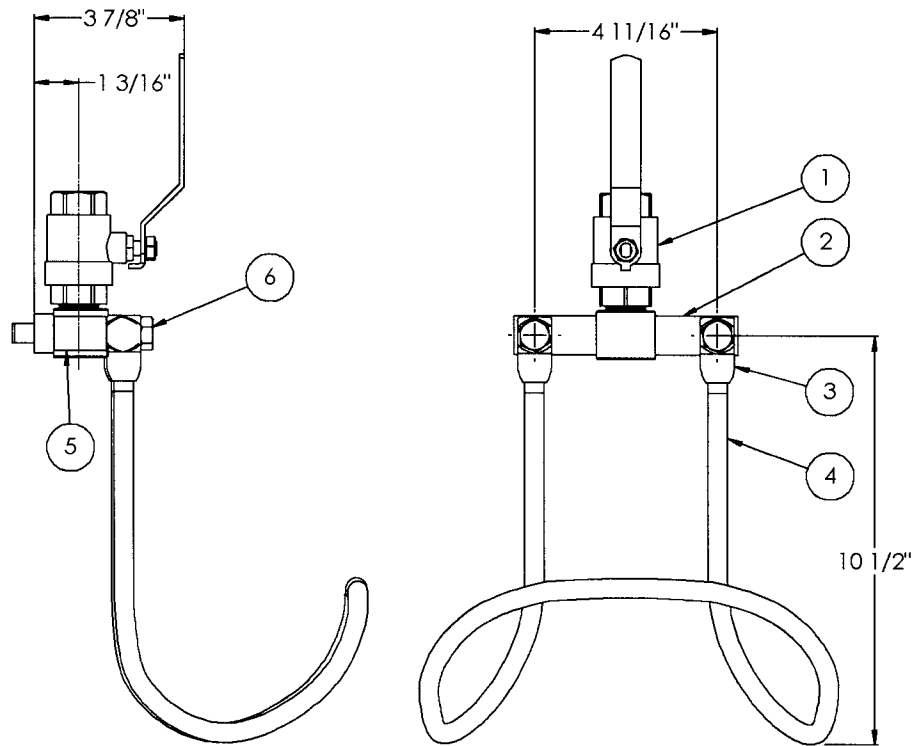
Fax: 49 (0) 7841-6846531



ISO 9001  
QMI-SAI Global

Last Updated: July, 2012

# M-120 Wall-Mounted Hose Station



## PARTS

PART NO.	PART	MATERIAL
1	BALL VALVE	316 SST
2	BRACKET	304L SST
3	HOSE RACK CONNECTOR	303 SST
4	HOSE RACK	302 SST
5	HOSE RACK SPACER	303 SST
6	½" BOLT	18-8 SST